

**DAVID CHOSEN KING**

Old Testament Lesson #84

God had rejected Saul to continue as Israel's king (see 1 Samuel 15, especially verses 26-29). God told Samuel to fill his horn with oil and go to Jesse of Bethlehem, for God had chosen one of Jesse's sons to be the new king.

Because Saul was jealous and sometimes violent, Samuel was afraid to go. God told him to go to Bethlehem to offer a sacrifice, but while he was there, he would select the person God had chosen to be king.

When Samuel arrived, he invited Jesse and his sons to the sacrifice. Samuel saw Jesse's eldest son and thought that he must be the one God wanted for king. But the LORD told Samuel, "Do not consider his appearance or his height, for I have rejected him. The LORD does not look at the things man looks at. Man looks at the outward appearance, but the LORD looks at the heart."

Then Jesse had all seven of his sons that were at home with him pass before Samuel, but Samuel said that the LORD had not chosen any of them. He asked if these were all the sons Jesse had and was told that there was still the youngest, David, who was tending the sheep. Samuel wanted to see him. When David arrived, the LORD told Samuel to anoint him because he was the chosen one. After Samuel anointed David, he left them and went to Ramah (RAY-ma).

Meanwhile, the spirit of the LORD had left Saul, and he was tormented by an evil spirit. His servants suggested that they find someone to play the harp to soothe the king and summoned David to play for him. David played the harp, and Saul felt better.

**POINTS TO CONSIDER:**

- At this point, Saul did not know that David would be his successor. An open proclamation of David as the next king could have brought the wrath of Saul upon the city of Bethlehem, especially upon the family of Jesse.
- Apparently, David's caring for the sheep was the right preparation for the work that was before him. Abel, Abraham, Isaac, Jacob and Moses had all been prepared in this same way.

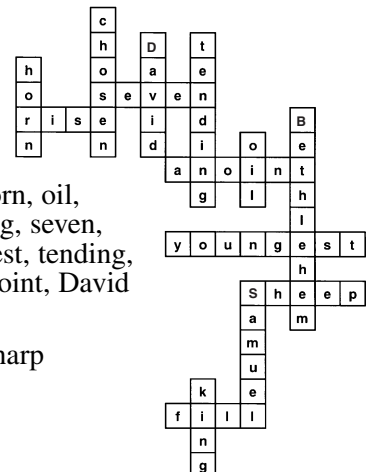
**David Chosen King**

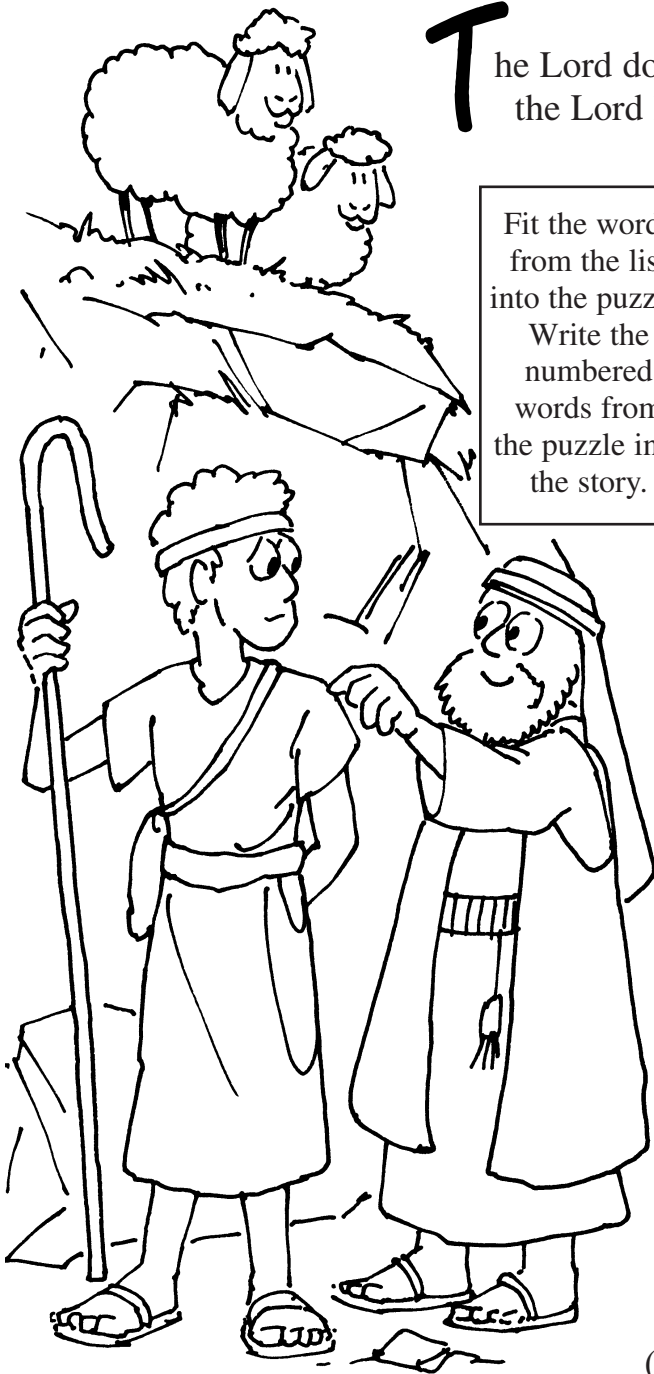
- I. God told Samuel to go to Bethlehem.
  - A. Saul would no longer be Israel's king because God had rejected him.
  - B. Samuel would meet the person God chose as king.
  - C. The new king would be a son of Jesse.
- II. Samuel arrived in Bethlehem.
  - A. He invited Jesse and his sons to the sacrifice.
  - B. Samuel wondered if the eldest son would be the king.
  - C. God said, "I have rejected him."
  - D. Seven of Jesse's sons were presented to Samuel.
  - E. The youngest, David, was absent, tending sheep.
- III. Samuel wanted to meet David.
  - A. When David arrived, God told Samuel to anoint him king.
  - B. The spirit of the LORD left Saul, and he was tormented.
  - C. David played the harp for Saul, and Saul was comforted.

**ANSWER KEY:**

Samuel, fill, horn, oil, Bethlehem, king, seven, chosen, youngest, tending, sheep, Rise, anoint, David

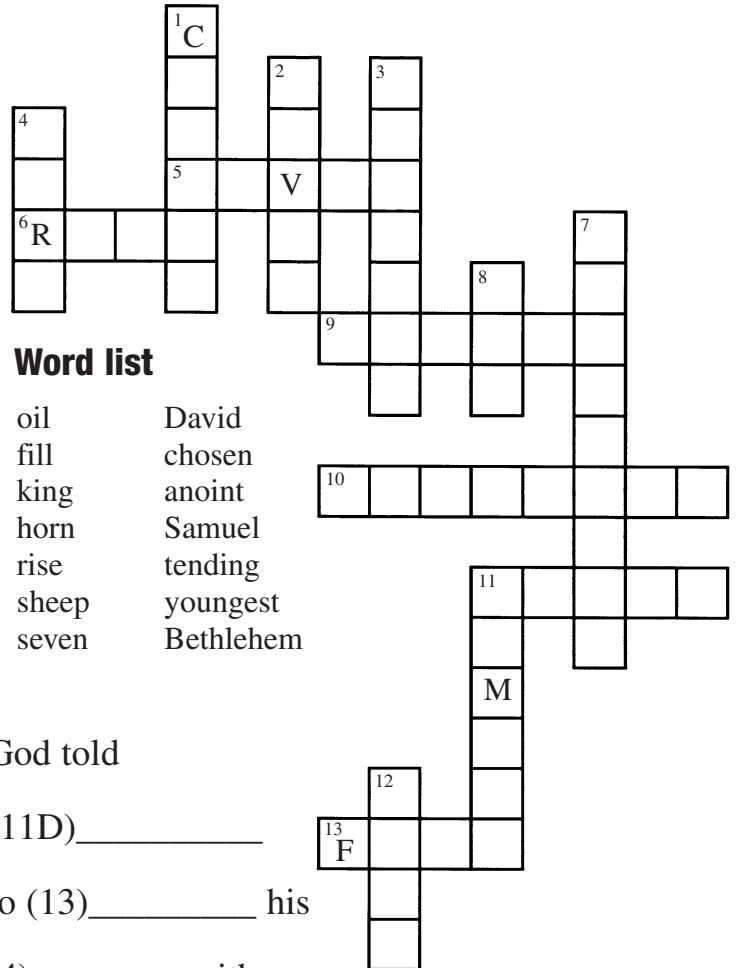
David, music, harp





**T**he Lord does not look at the things people look at ...  
the Lord looks at the heart.

Fit the words from the list into the puzzle. Write the numbered words from the puzzle into the story.



**Word list**

- oil
- fill
- king
- horn
- rise
- sheep
- seven
- David
- chosen
- anoint
- Samuel
- tending
- youngest
- Bethlehem

God told

(11D) \_\_\_\_\_

to (13) \_\_\_\_\_ his

(4) \_\_\_\_\_ with

(8) \_\_\_\_\_ and go to (7) \_\_\_\_\_.

He had chosen one of Jesse's sons to be the new

(12) \_\_\_\_\_. Samuel saw (5) \_\_\_\_\_ of

Jesse's sons. The Lord had not (1) \_\_\_\_\_ any of them. Jesse said his (10) \_\_\_\_\_ son

was (3) \_\_\_\_\_ the (11A) \_\_\_\_\_. They sent for him. The Lord said, "(6) \_\_\_\_\_

and (9) \_\_\_\_\_ him. He is the one." His name was (2) \_\_\_\_\_.

Name \_\_\_\_\_



Use the code to fill in the blanks.  
Then color the picture.

Code  
 ♪ = a      ♫ = i      ♬ = u

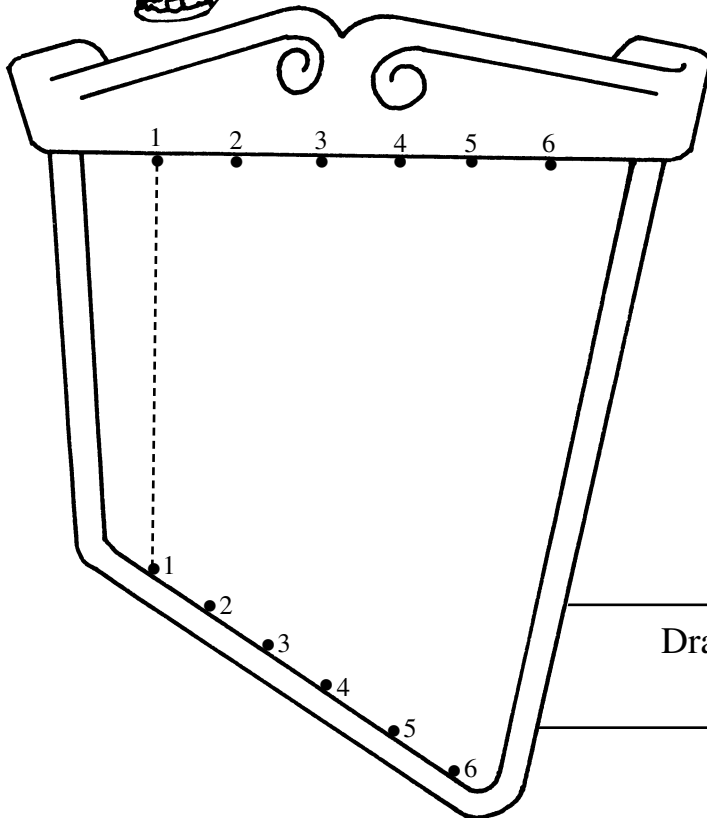
Saul called D v d to serve  
 ♪                      ♫

and help him. He played beautiful

m s c  
 ♬                      ♫

on his h r p  
 ♪

to help Saul feel better.



Draw lines to match the numbers.  
1—1, 2—2, etc ...

Name \_\_\_\_\_